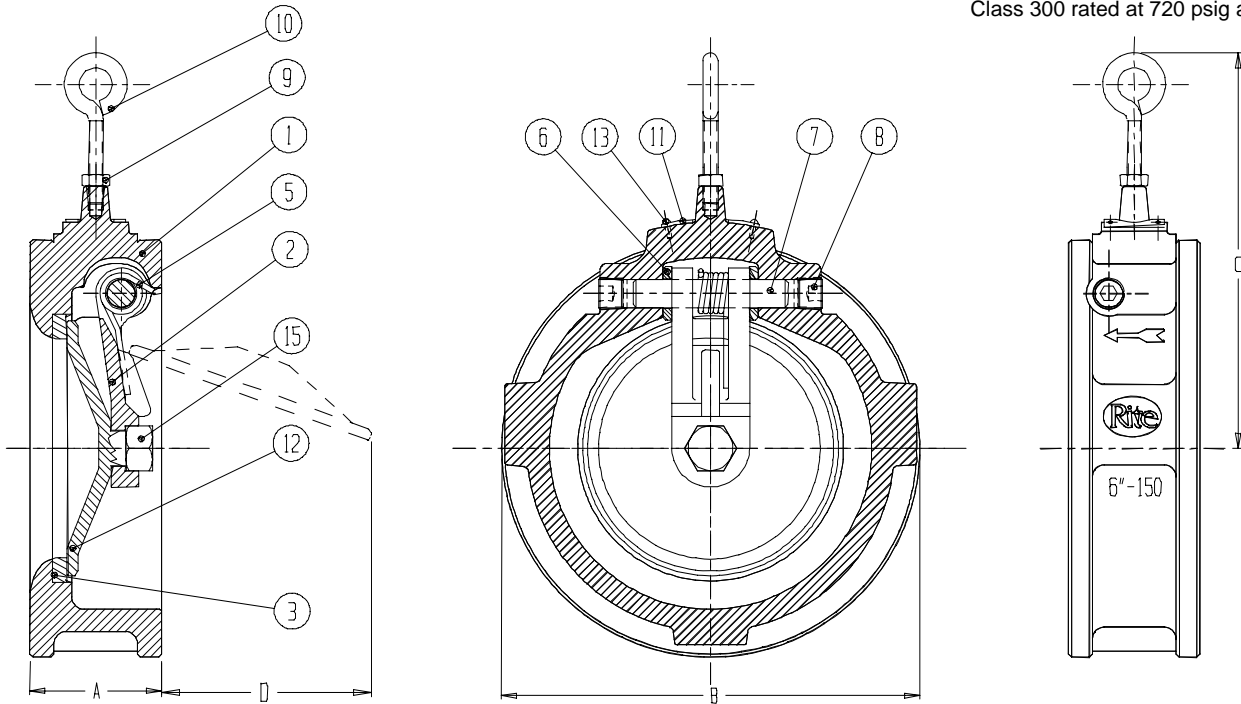




Designed to meet ANSI B16.34,
Class 150 rated at 275 psig at 100 °F,
Class 300 rated at 720 psig at 100°F



Item	Description	Material
1	Body	ASTM A351-CF8M
2	Hinge	ASTM A351 CF8M
5	Spring	ASTM A313-316
6	Spacer	ASTM A479-316
7	Pin	ASTM A479-316
8	Plug	Stainless Steel

Item	Description	Material
9	Lock Nut	Steel Zinc Plated
10	Eye Bolt	Steel Zinc Plated
11	Name Plate	Aluminium
12	Disc	ASTM A351-CF8M
13	Rivet	Steel Cad. Plated
15	Disc Nut	Stainless Steel

Nominal Pipe Size		A		B 150		B 300		C		D		Weight	
Inch	mm	Inch	mm	Inch	mm	Inch	mm	Inch	mm	Inch	mm	lbs	kg
2	50	1.75	44.5	4.13	104.8	4.38	111.1	4.63	117.5	1.19	30.0	3.5	1.6
2 1/2	65	1.88	47.6	4.88	123.8	5.13	130.2	5.00	127.0	1.50	38.0	5.0	2.3
3	80	2.00	50.8	5.38	136.5	5.88	149.2	5.44	138.1	1.69	43.0	6.5	2.9
4	100	2.25	57.1	6.88	174.6	7.13	181.0	6.25	158.7	2.75	69.8	11.6	5.3
5	125	2.50	63.5	7.75	196.8	8.50	215.9	6.75	171.4	3.63	92.0	15.5	7.0
6	150	2.75	69.8	8.75	222.2	9.88	250.8	7.50	190.5	4.50	114.3	20.6	9.4
8	200	2.88	73.0	11.00	279.4	12.13	308.0	8.75	222.2	5.75	146.0	33.0	15.0
10	250	3.13	79.4	13.38	339.7	14.25	362.0	10.00	254.0	7.50	190.5	48.5	22.0
12	300	3.38	85.7	16.13	409.6	16.63	422.3	11.25	285.7	8.75	222.2	72.8	33.0